



INSTALLATION INSTRUCTIONS FOR RADENSO **MAGNETIC QUICK RELEASE SUCTION CUP MOUNT** RADAR DETECTORS

Your rear view mirror has minimal clearance between the back side of the mirror and the mirror stem. It is very important that this mount is installed correctly to ensure mirror adjustability is retained.

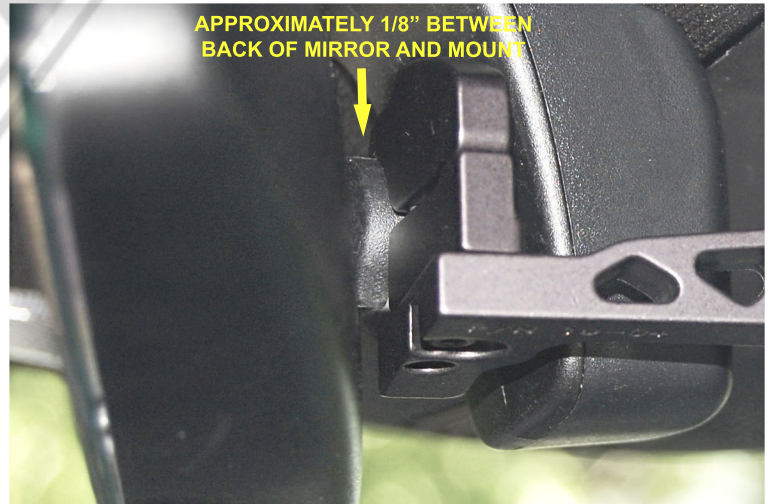
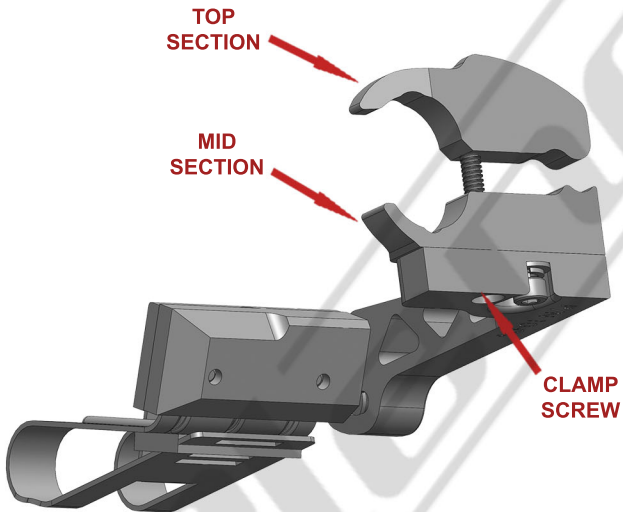
PLEASE READ THESE INSTRUCTIONS THOROUGHLY AND INSTALL THIS MOUNT FROM THE PASSENGER SIDE OF THE VEHICLE.

NOTE: For illustration purposes, the radar detector, mount, and rear view mirror shown in these instructions may look slightly different than YOUR radar, mount, and rear view mirror.



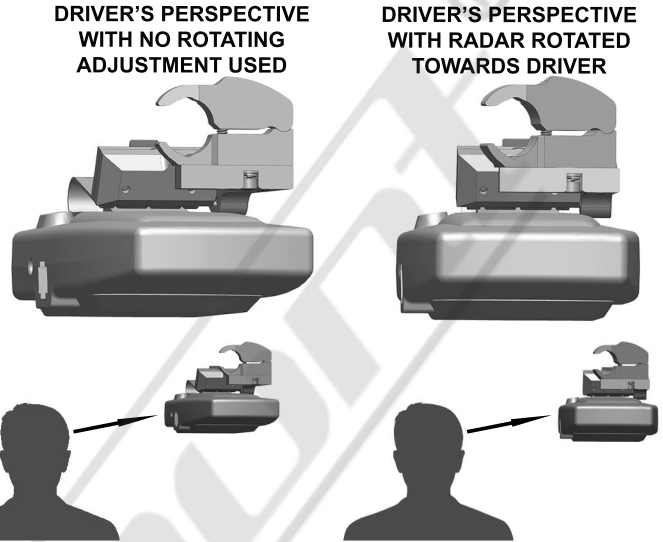
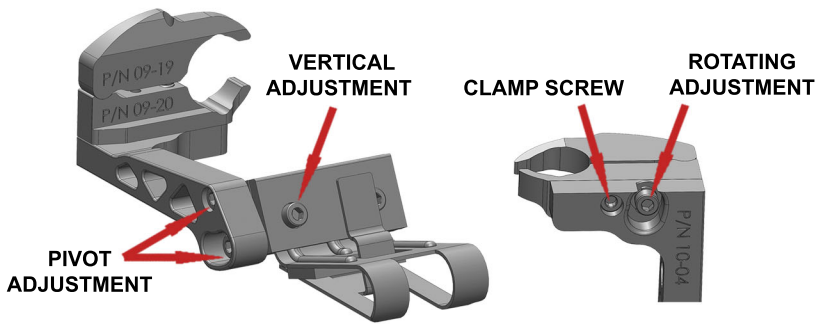
1 - Remove the socket head bolt and the existing mount from the radar. Install the spring clip adapter plate with the supplied hex key, bolt, and O-ring as shown above.

2 - Install and remove your radar detector (RD) onto the mount before installing it on the rear view mirror so you can observe how the spring clip functions. To release tension from the spring clip, simply squeeze the release tab and the back side of the mount together as shown above. This will lower the bottom portion of the spring clip allowing you to slide the RD on and off the mount. To install the RD, squeeze the release tab and slide the clip into the RD as far as it will go. **When used properly, the spring clip avoids putting excessive pressure on the mirror stem when installing and removing the RD.**



3 - Loosen the clamp screw so the top section separates from the mid section. This will provide the necessary clearance to slide the mount over the mirror stem as shown above.

4 - Tighten the clamp screw until the Top and Mid Sections are **slightly snug** around the mirror stem. You should still be able to move the mount along the stem. Before fully tightening the clamp screw, slide the mount towards the windshield as far as it will go. There should be approximately 1/8" between the back of the mirror and the mount as shown above.



CLAMP SCREW MUST BE SLIGHTLY LOOSENED BEFORE MAKING ROTATING ADJUSTMENT. BE SURE TO RETIGHTEN AFTER ADJUSTMENT IS MADE

5 - Install your radar detector onto the mount. Use the adjustments shown above to adjust the RD to your desired position. We recommend adjusting the RD as close to the bottom of your mirror as you can. **NOTE** When the rotating adjustment is used to rotate the RD towards the driver, the footprint of the RD is reduced as shown above. Be sure to tighten all of the adjustment screws after the adjustments are made.



SCAN THE QR CODE WITH YOUR SMART PHONE TO VIEW INSTALL VIDEOS

6 - If the RD is too close to the bottom of the mirror, You may access the buttons on top of the RD by gently pushing downward on the front of the RD with one finger and push the desired button with another finger. Then allow the RD to return to it's original position by gently letting it spring upward. When accessing the buttons, be sure to push the RD downward just enough for your finger to fit between the RD and mirror. **Do not push down more than what is needed.**

NOTE : This mount can get extremely hot when sitting in direct sunlight. If you intend to remove your RD frequently, you may want to install the two gray "TOUCH STRIPS" included in the tool kit. Place them where your fingers make contact with the mount. They may be trimmed with a blade or knife.

FOR MORE INFO VISIT www.blendmount.com/videos

CAUTION

DO NOT use this mount if it interferes with the adjustability or the operation of your rear view mirror in any way.

DO NOT use this mount if the radar detector creates an unsafe viewing obstruction.

DO NOT ATTEMPT TO MODIFY THIS PRODUCT. Consult the manufacturer for assistance.

All BlendMount products are accompanied with detailed installation instructions and adjustment tips. You are encouraged to contact customerservice@blendmount.com or call J28 Design at 1-888-497-8388 for further assistance.

Check the BlendMount Forum for installation tips and some vehicle specific installs.
www.blendmount.com

Your feedback is very important to us. Please email any questions or comments you have to customerservice@blendmount.com